



SAFETY POSITION SWITCHES WITH SOLENOID INTERLOCKING LOCK. FORCE 1300N,5 APPR. DIR. PLASTIC ENCLOSURE,3X(M20X1.5) SPRING-LOCKED, ESCAPE RELEASE FROM FRONT MAGNET VOLTAGE 230V AC MONITOR. OF ACTUATOR 2NC/1NO, MONITOR. OF MAGNET 2NC/1NO LEDS YELLOW/GREEN

**General technical details:**

<b>Supply voltage</b>		
• of the magnet coil	V	230
<b>Type of voltage / of the supply voltage</b>		
• of the optional LED display		AC
<b>Relative ON period</b>		
• of solenoid	%	100
<b>Recorded real power</b>		
• for magnet coil	W	3.5
<b>Insulation voltage</b>		
• rated value	V	250
<b>Degree of pollution</b>		class 3
<b>Thermal current</b>	A	6
<b>Operating current</b>		
• at AC-15		
• at 24 V / rated value	A	6
• at 125 V / rated value	A	3
• at 230 V / rated value	A	1.5
• at DC-13		
• at 24 V / rated value	A	3

<ul style="list-style-type: none"> <li>• at 125 V / rated value</li> <li>• at 230 V / rated value</li> </ul>	A	0.55
	A	0.27
<b>Continuous current</b>		
<ul style="list-style-type: none"> <li>• of the slow DIAZED fuse link</li> <li>• of the quick DIAZED fuse link</li> <li>• of the C characteristic circuit breaker</li> </ul>	A	6
	A	10
	A	0.5
<b>Mechanical operating cycles as operating time / typical</b>		1,000,000
<b>Electrical operating cycles as operating time</b>		
<ul style="list-style-type: none"> <li>• with contactor 3RH11, 3RT1016, 3RT1017, 3RT1024, 3RT1025, 3RT1026 / typical</li> </ul>		1,000,000
<b>Electrical operating cycles in one hour</b>		
<ul style="list-style-type: none"> <li>• with contactor 3RH11, 3RT1016, 3RT1017, 3RT1024, 3RT1025, 3RT1026</li> </ul>		6,000
<b>Repeat accuracy</b>	mm	0.1
<b>Design of the contact element</b>		slow-action contacts
<b>Number of NC contacts</b>		
<ul style="list-style-type: none"> <li>• for the position surveillance of the locking element</li> </ul>		2
<b>Number of NC contacts</b>		
<ul style="list-style-type: none"> <li>• for the position surveillance of the activation element</li> </ul>		2
<b>Number of NO contacts</b>		
<ul style="list-style-type: none"> <li>• for the position surveillance of the locking element</li> </ul>		1
<b>Number of NO contacts</b>		
<ul style="list-style-type: none"> <li>• for the position surveillance of the activation element</li> </ul>		1
<b>Design of the switching function</b>		positive opening
<b>Resistance against vibration</b>		0.35 mm / 5g
<b>Resistance against shock</b>		30g / 11 ms
<b>Ambient temperature</b>		
<ul style="list-style-type: none"> <li>• during the operating phase</li> <li>• during storage</li> </ul>	°C	-25 ... 60
	°C	-40 ... 80
<b>Width of the sensor</b>	mm	54
<b>Material</b>		
<ul style="list-style-type: none"> <li>• of the housing</li> </ul>		plastic
<b>Material / of the housing / of the switch head</b>		plastic
<b>Design of the operating mechanism</b>		5 directions of approach
<b>Actuating speed</b>	m/s	0.4 ... 1.5
<b>Minimum actuating force</b>	N	30
<b>Protection class IP</b>		IP65/IP67
<b>Built in orientation</b>		any
<b>Design of the cable entry (gland)</b>		3 x (M20 x 1.5)
<b>Design of the electrical connection</b>		screw-type terminals

---

**Item designation**

- according to DIN 40719 extendable after IEC 204-2 / according to IEC 750
- according to DIN EN 61346-2

S

B

---

**Further information:****Information- and Downloadcenter (Catalogs, Brochures,...)**<http://www.siemens.com/industrial-controls/catalogs>

---

**Global Industry Mall (Online ordering system)**<http://www.siemens.com/industrial-controls/mall>

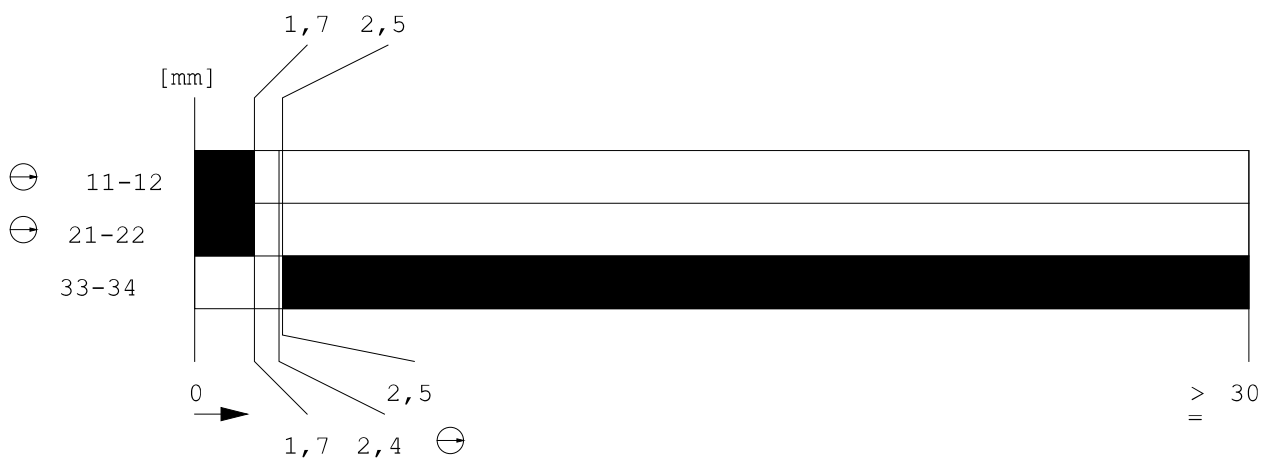
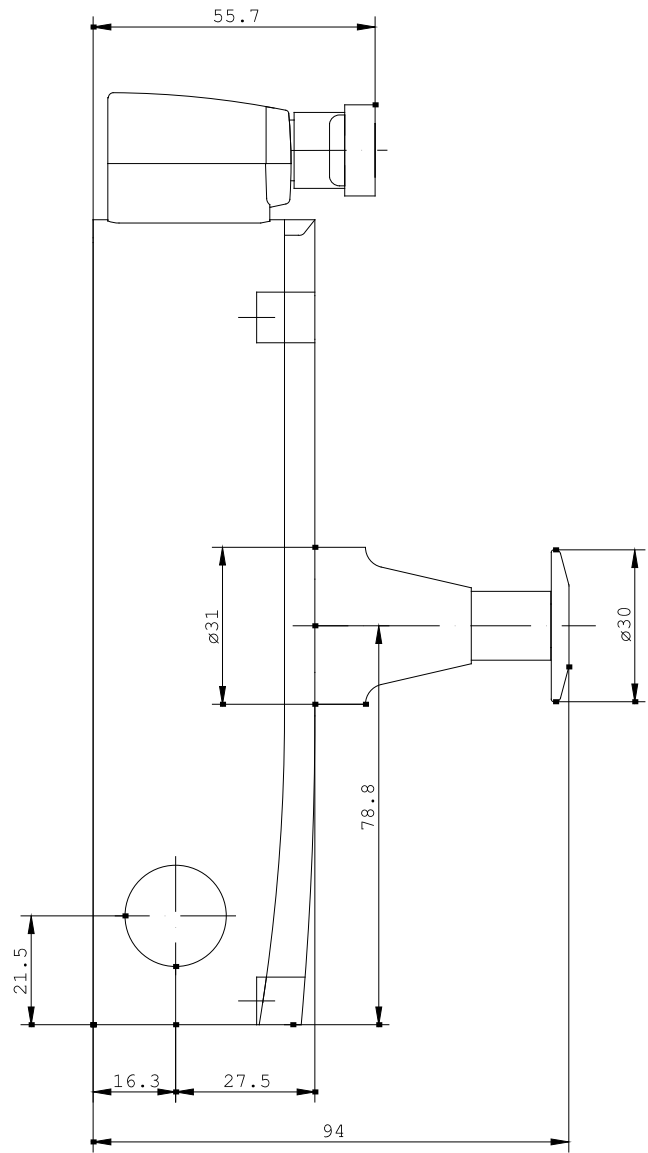
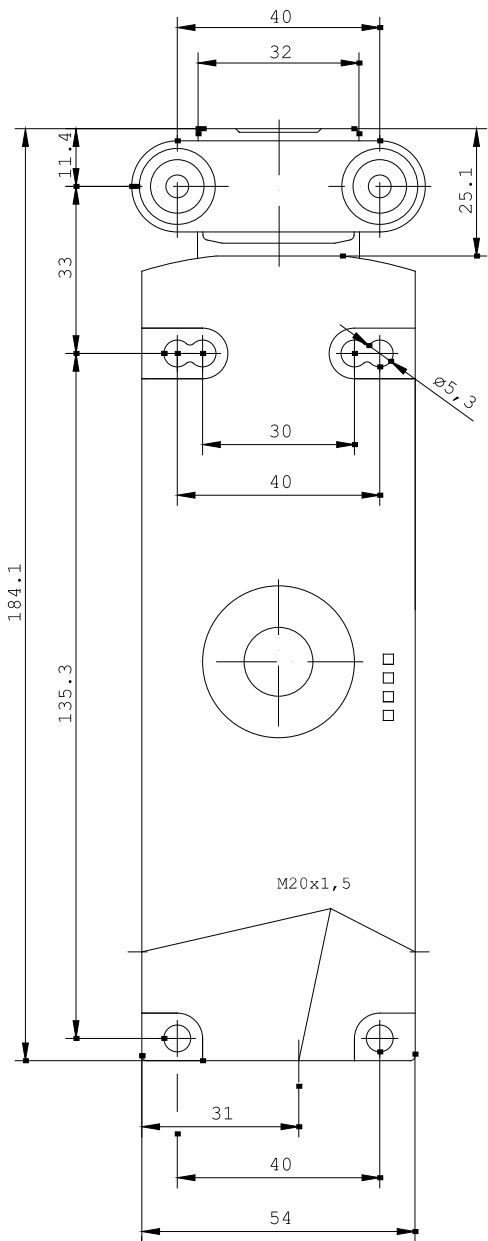
---

**Service&Support (Manuals, Certificates, Characteristics, FAQs,...)**<http://support.automation.siemens.com/WW/view/en/3SE5322-3SF23/all>

---

**Image database (product images, 2D dimension drawings, 3D models, device circuit diagrams, ...)**[http://www.automation.siemens.com/bilddb/cax\\_en.aspx?mlfb=3SE5322-3SF23](http://www.automation.siemens.com/bilddb/cax_en.aspx?mlfb=3SE5322-3SF23)

---



last change:

Sep 6, 2010